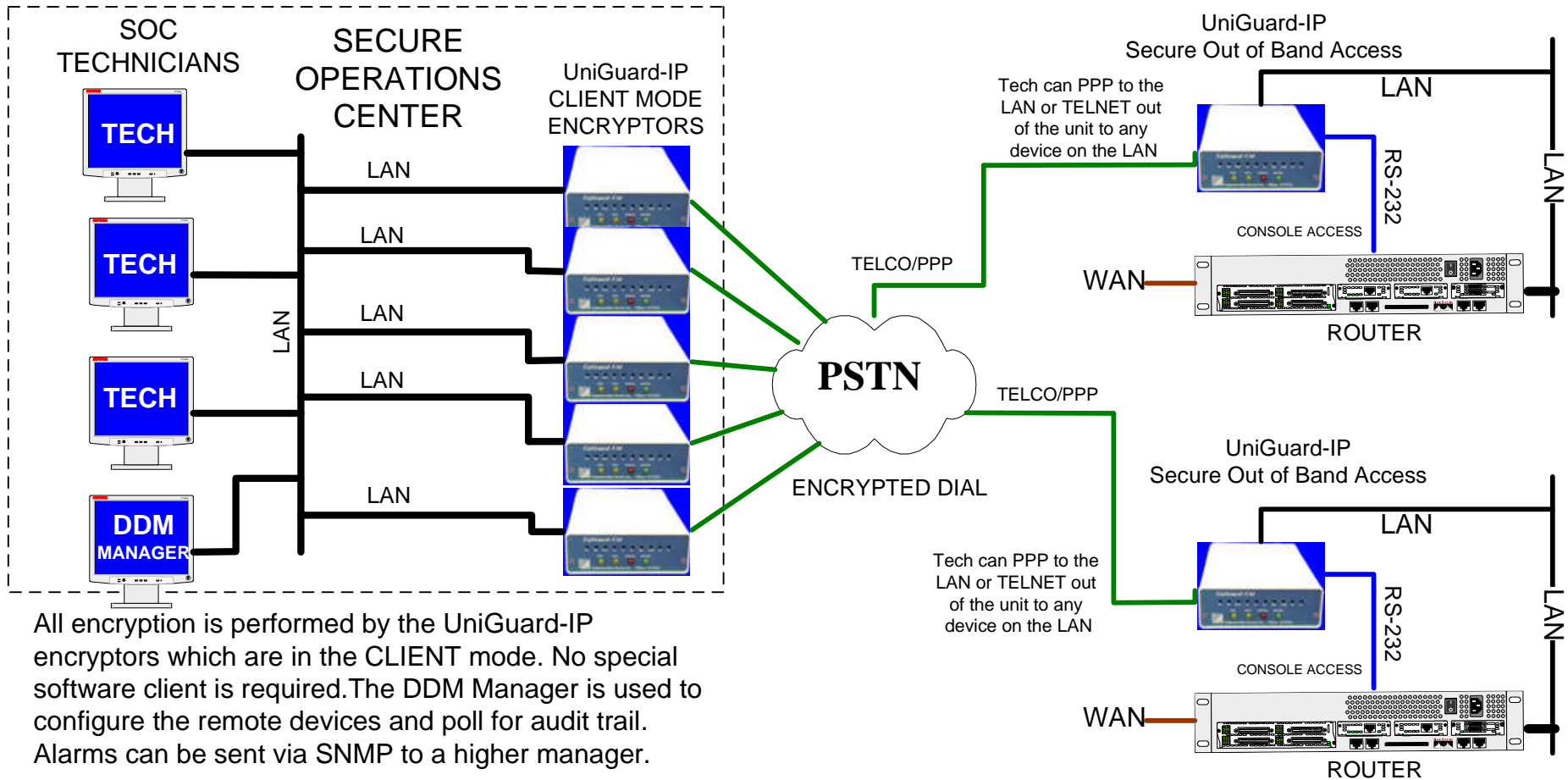


SECURE OUT OF BAND MANAGEMENT OVER DIAL-UP WITH REMOTE PPP & TELNET



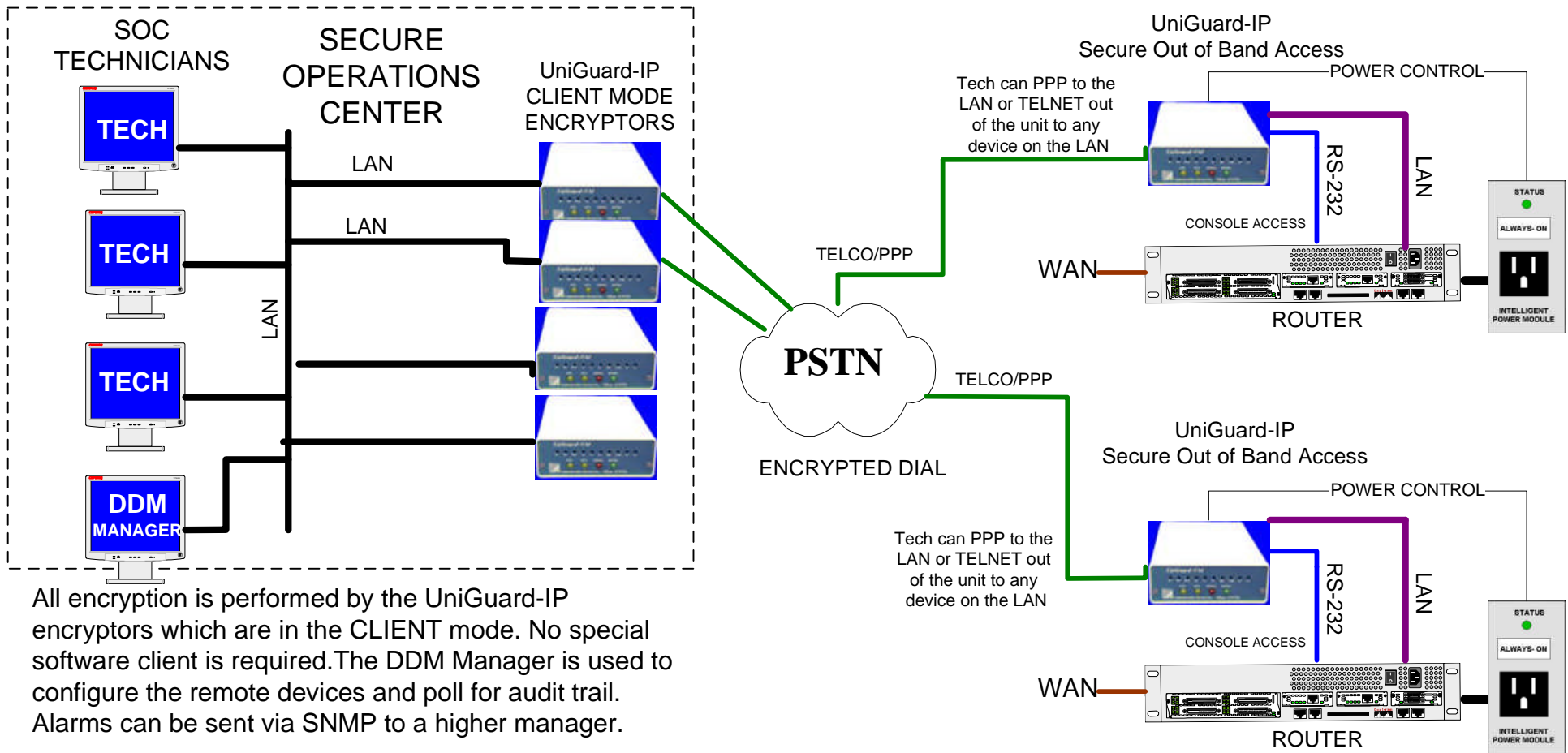
All encryption is performed by the UniGuard-IP encryptors which are in the CLIENT mode. No special software client is required. The DDM Manager is used to configure the remote devices and poll for audit trail. Alarms can be sent via SNMP to a higher manager.



Communication Devices Inc.
1 Forstmann Court
Clifton, NJ 07011
1.973.772.6997

This is a typical Secure Out of Band Management configuration for a Managed Security Provider. The UniGuard-IP is connected to the console port of a Router. A LAN connection also attaches the UniGuard-IP to the remote LAN. In the event of a problem, the SOC technician can 3DES dial-up to the UniGuard-IP. This will then allow console access. The technician can also PPP connect to the remote LAN or TELNET out of the unit to a remote device. At no time is the UniGuard-IP relying on network security to operate as the network is in question when the device is used.

SECURE OUT OF BAND MANAGEMENT OVER DIAL-UP WITH POWER CONTROL



All encryption is performed by the UniGuard-IP encryptors which are in the CLIENT mode. No special software client is required. The DDM Manager is used to configure the remote devices and poll for audit trail. Alarms can be sent via SNMP to a higher manager.

Tech can PPP to the LAN or TELNET out of the unit to any device on the LAN



Communication Devices Int Ltd
 3 Eghams Court, Boston Drive
 Bourne End
 Bucks SL8 5YS UK
www.commsdevices.co.uk

This is a typical Secure Out of Band Management configuration for a Managed Security Provider. The UniGuard-IP is connected to the console port of a Routers . A LAN connection also attaches the UniGuard-IP to the remote LAN. In the event of a problem, the SOC technician can AES dial-up to the UniGuard-IP. This will then allow console access . The tech can also PPP connect to the remote LAN or TELNET out of the unit to a remote device. At no time is the UniGuard-IP relying on network security to operate as the network is in question when the device is used.