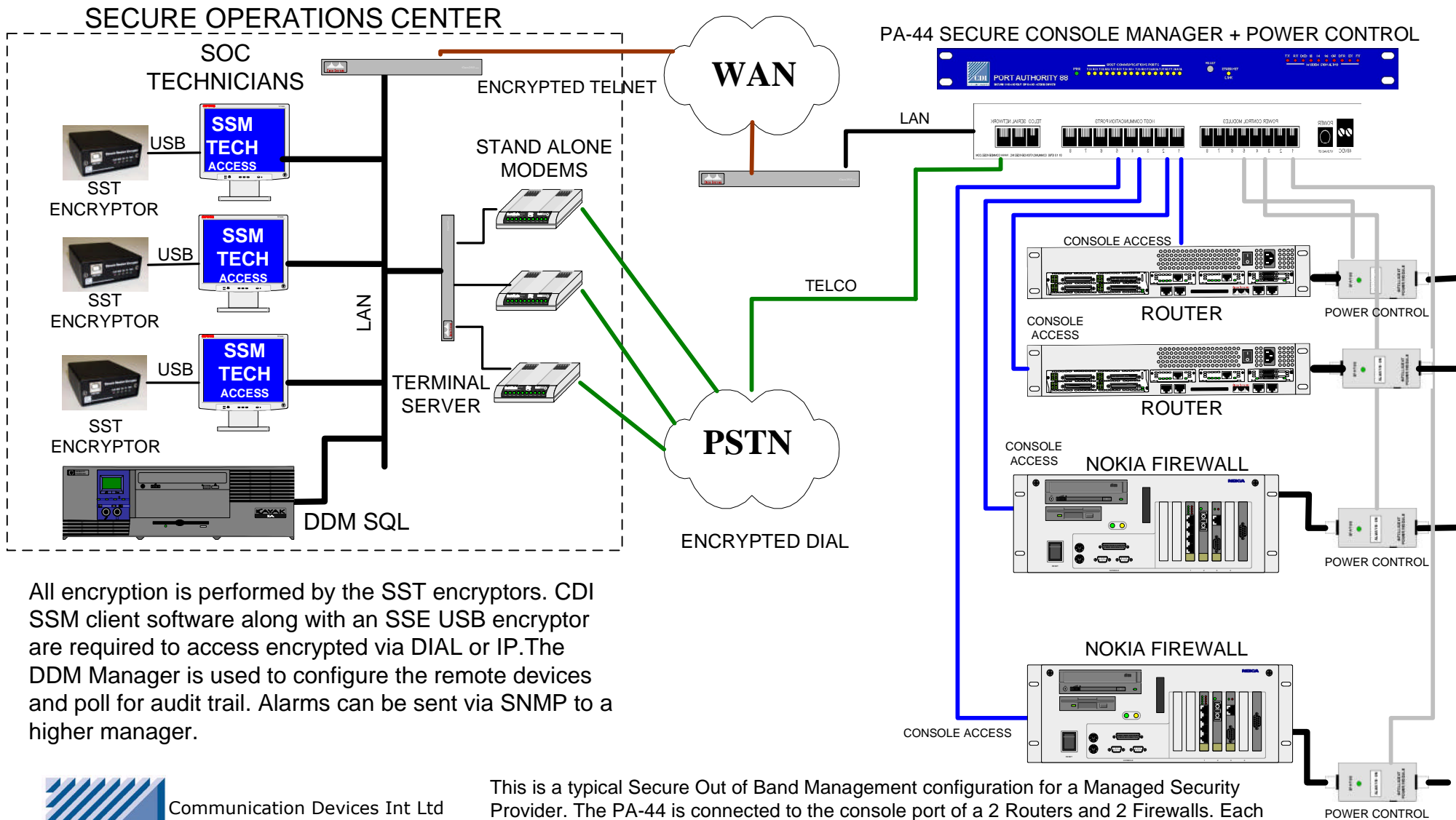


SECURE IN/OUT OF BAND MANAGEMENT WITH POWER CONTROL OVER DIAL-UP & NETWORK USING SSM & SST



All encryption is performed by the SST encryptors. CDI SSM client software along with an SSE USB encrytor are required to access encrypted via DIAL or IP. The DDM Manager is used to configure the remote devices and poll for audit trail. Alarms can be sent via SNMP to a higher manager.



Communication Devices Int Ltd
3 Eghams Court, Boston Drive
Bourne End
Bucks SL8 5YS UK
www.commsdevices.co.uk

This is a typical Secure Out of Band Management configuration for a Managed Security Provider. The PA-44 is connected to the console port of a 2 Routers and 2 Firewalls. Each product is also being power controlled by the PA-44 via a power control module on each power cable. In the event of a problem, the SOC technician can AES/3DES dial-up or AES/3DES TELNET to the PA-44. This will then allow console access and power control of each device. At no time is the PA-44 relying on network security to operate as the network is in question when the device is used.