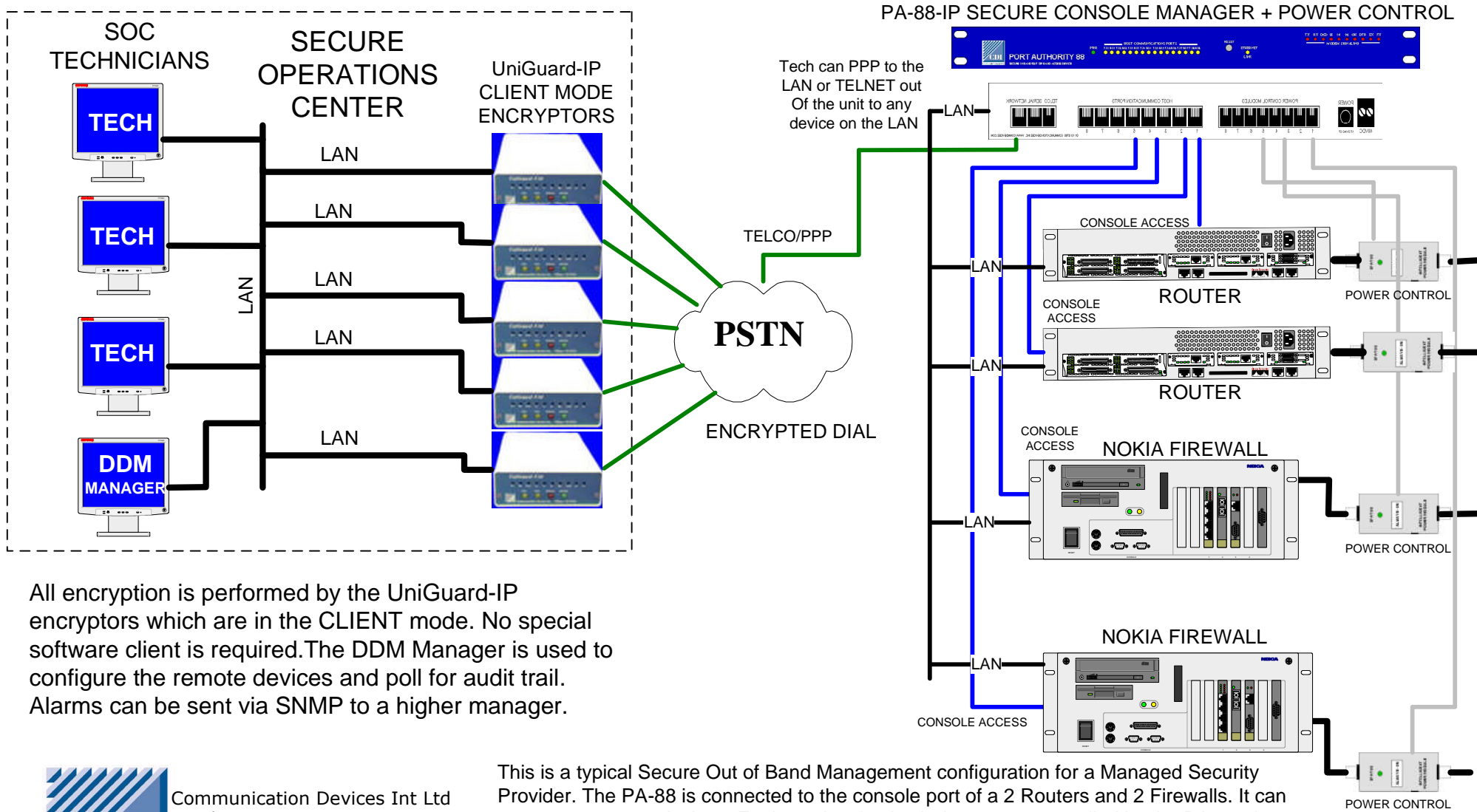


SECURE OUT OF BAND MANAGEMENT WITH POWER CONTROL OVER DIAL-UP WITH REMOTE PPP & TELNET



All encryption is performed by the UniGuard-IP encryptors which are in the CLIENT mode. No special software client is required. The DDM Manager is used to configure the remote devices and poll for audit trail. Alarms can be sent via SNMP to a higher manager.



Communication Devices Int Ltd
3 Eghams Court, Boston Drive
Bourne End
Bucks SL8 5YS UK
www.commsdevices.co.uk

This is a typical Secure Out of Band Management configuration for a Managed Security Provider. The PA-88 is connected to the console port of a 2 Routers and 2 Firewalls. It can connect to up to 8 devices. Each product is also being power controlled by the PA-88 via a power control module on each power cable. In the event of a problem, the SOC technician can AES/3DES dial-up to the PA-88. This will then allow console access and power control of each device. The tech can also PPP connect to the remote LAN or TELNET out of the unit to a remote device. At no time is the PA-88 relying on network security to operate as the network is in question when the device is used.